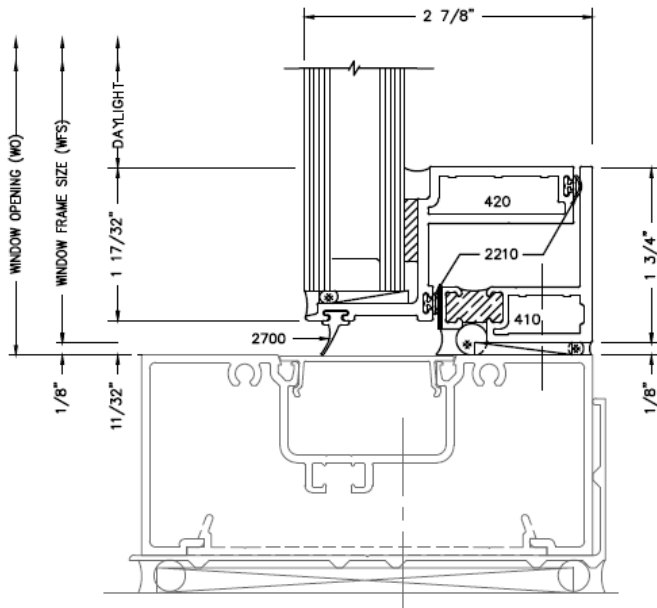
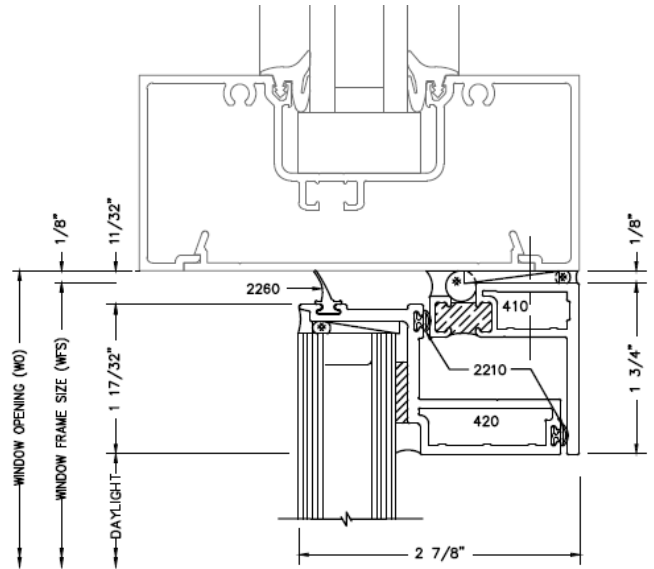


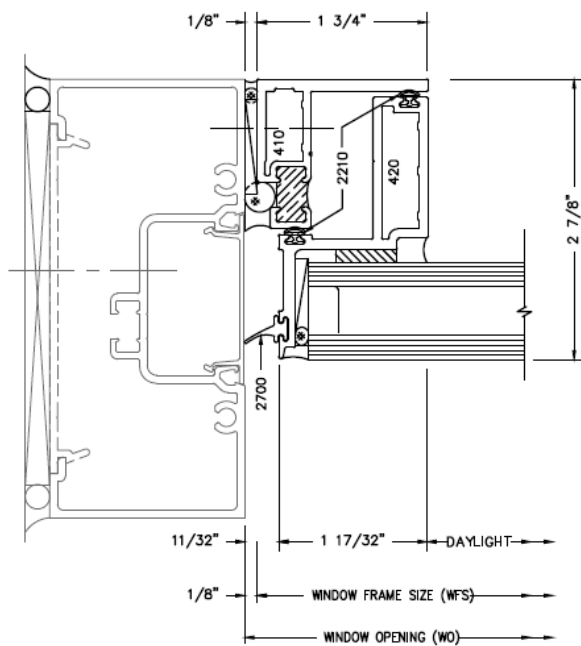
Casement & Project Out "Anchored Frame"



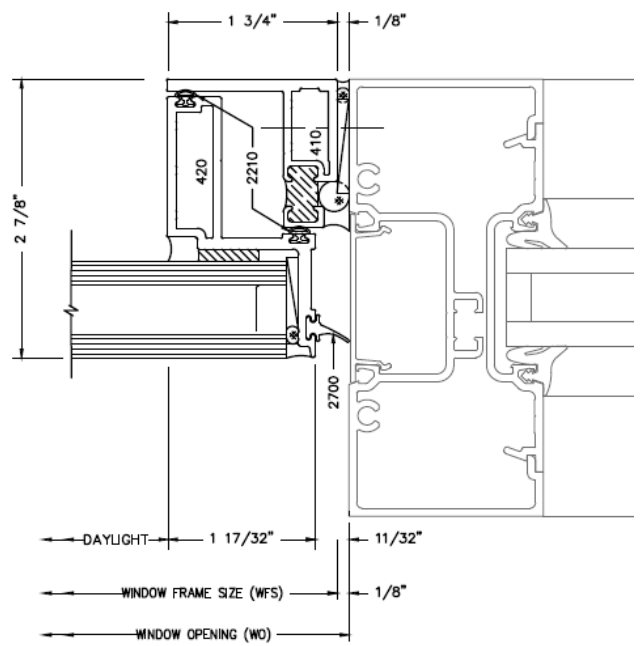
SILL



HEAD



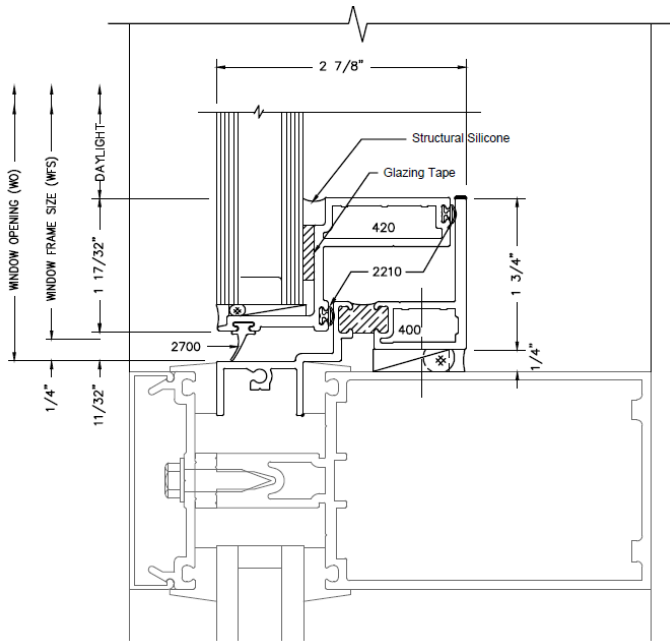
JAMB



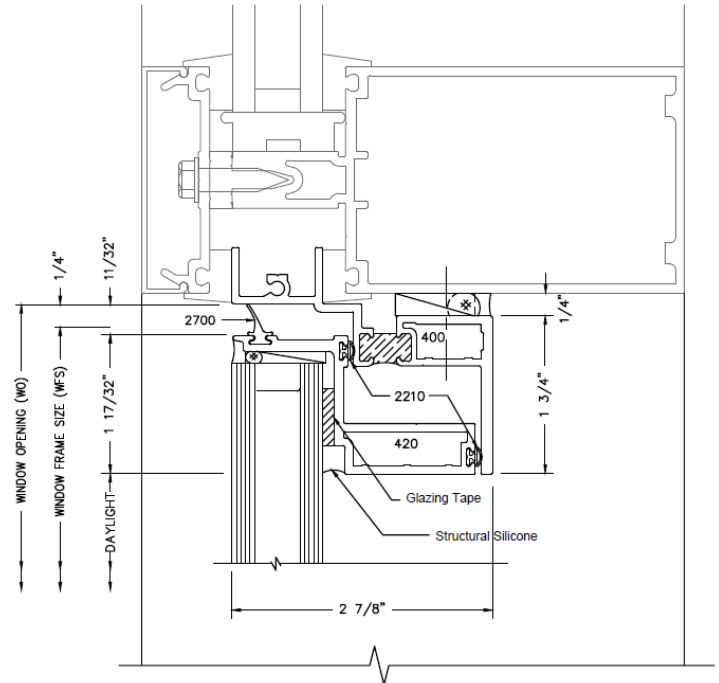
INTERMEDIATE

Do not scale

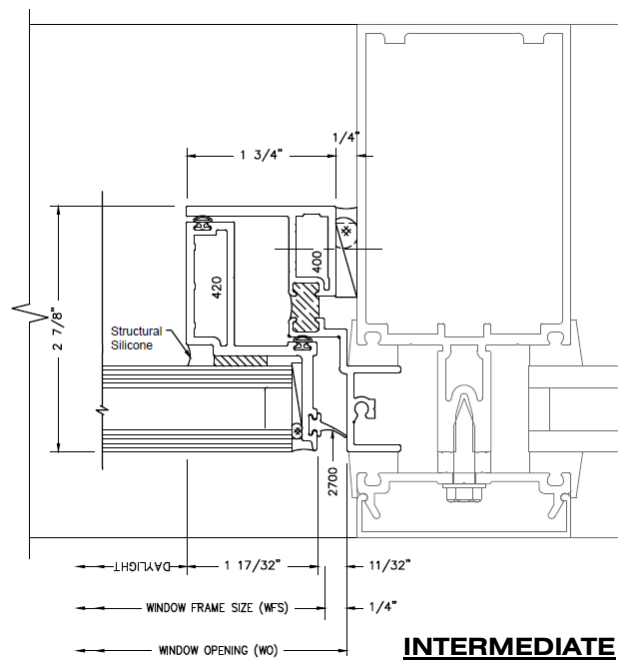
Casement & Project Out "Glazed Frame"



SILL



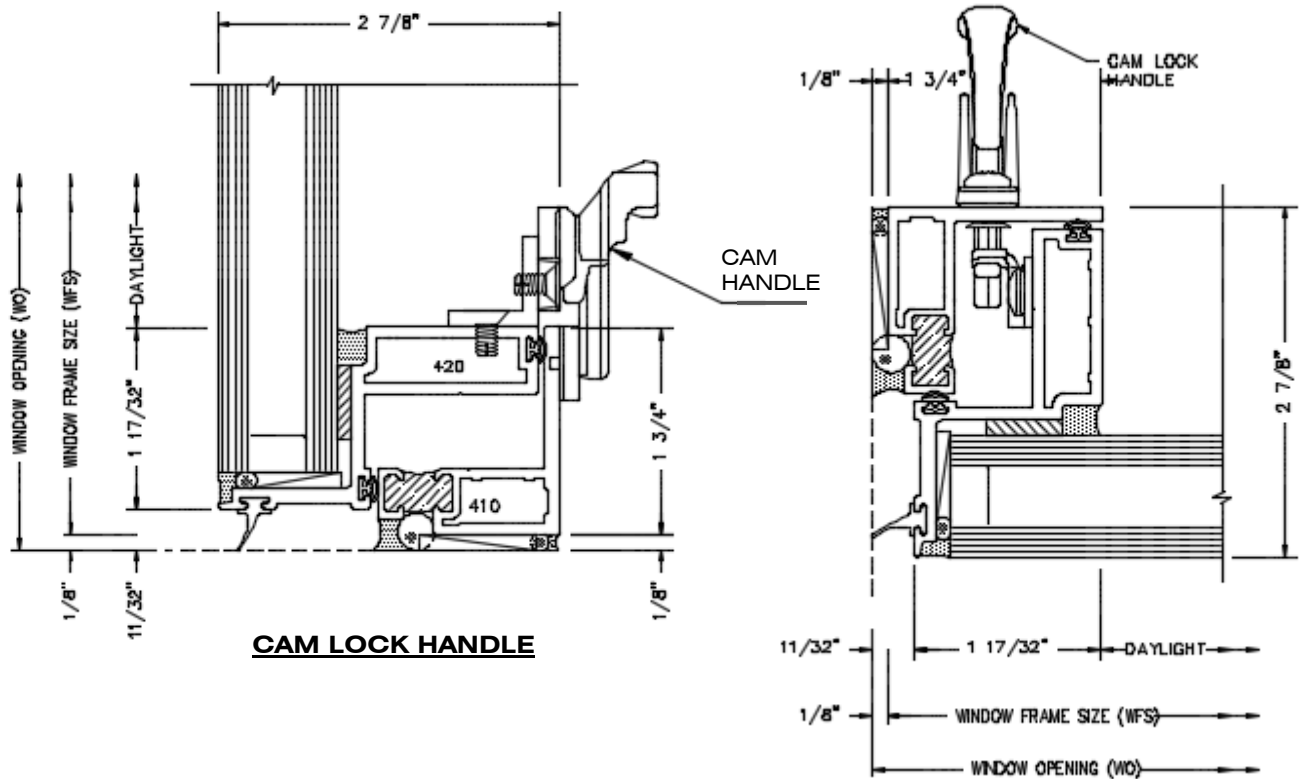
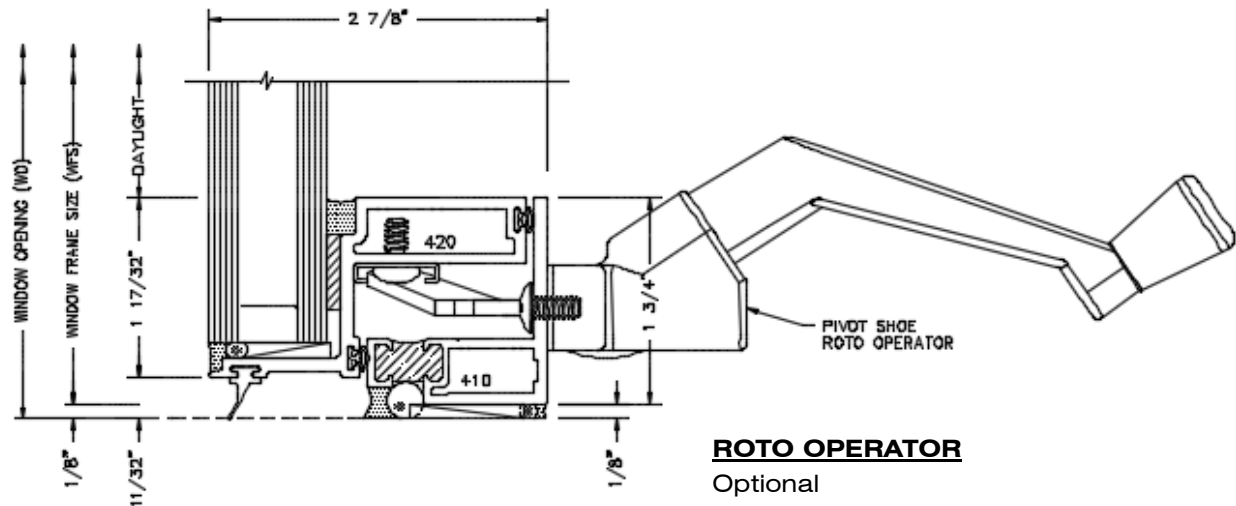
HEAD



INTERMEDIATE

Do not scale

Hardware Details



Do not scale